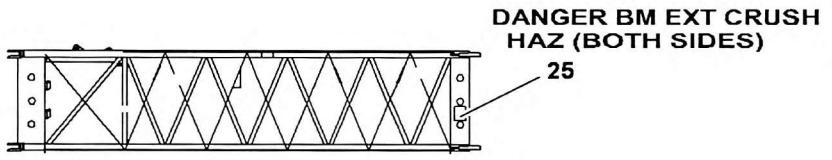
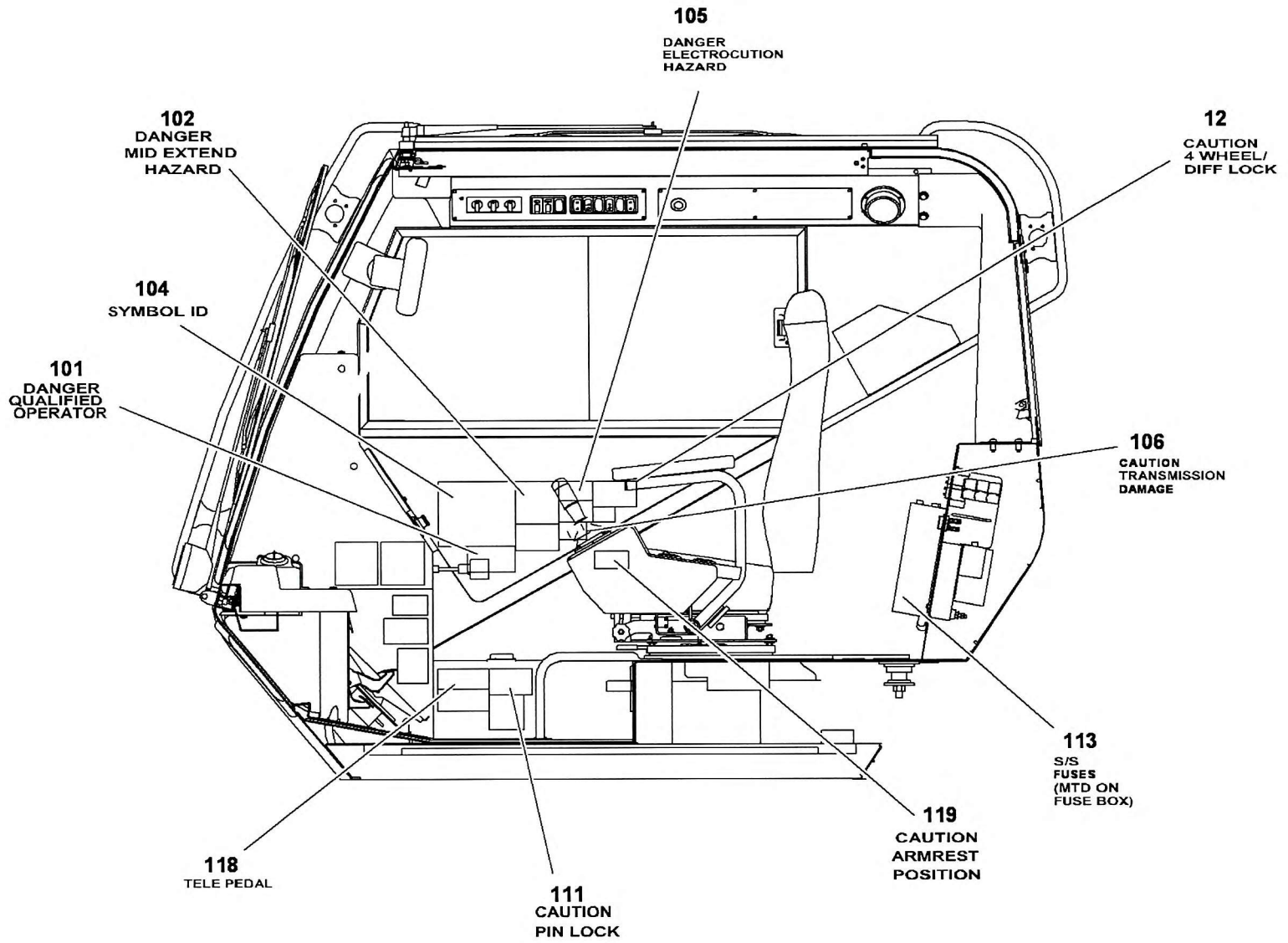


POWER LUFFING BOOM EXTENSION
RIGHT SIDES VIEW

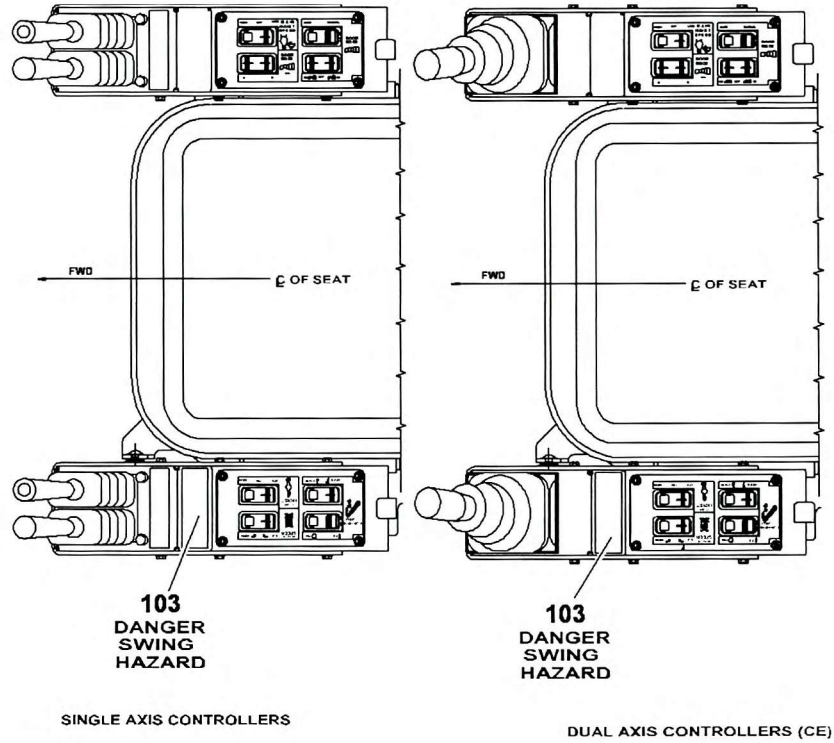


5 m INNER BOOM EXTENSION INSERT

(SHEET 5 OF 5)



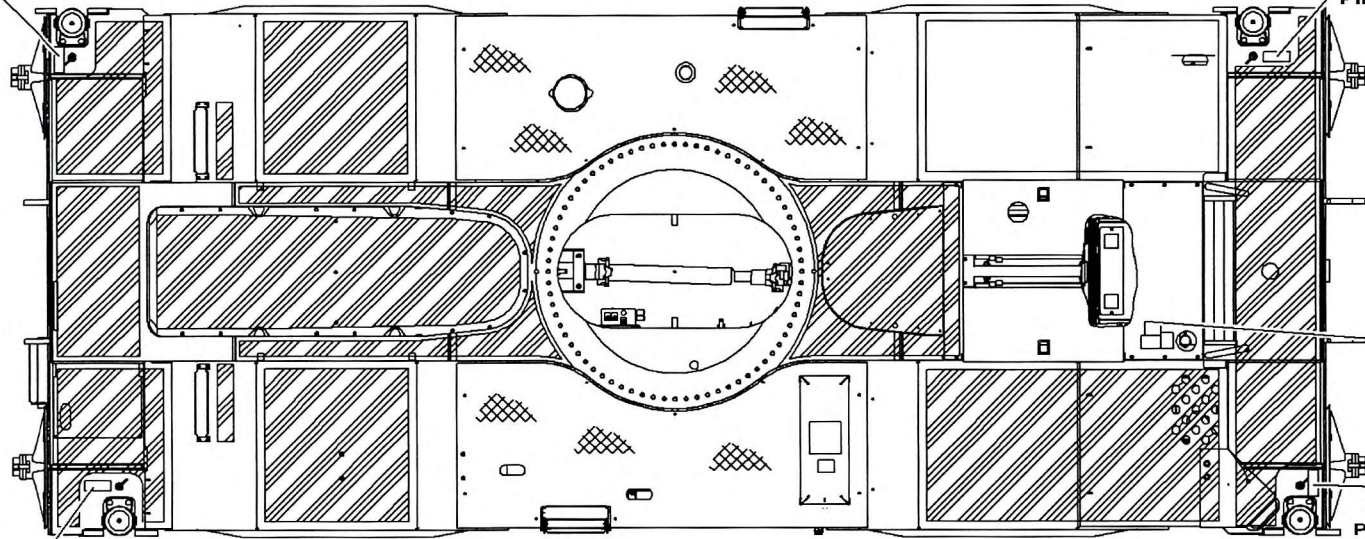
CAB INSIDE VIEW



VIEW C-C SEAT

142
O/R LOCKING
PIN OPERATION

142
O/R LOCKING
PIN OPERATION



147
CAUTION
SPECIAL
FILL

142
O/R LOCKING
PIN OPERATION

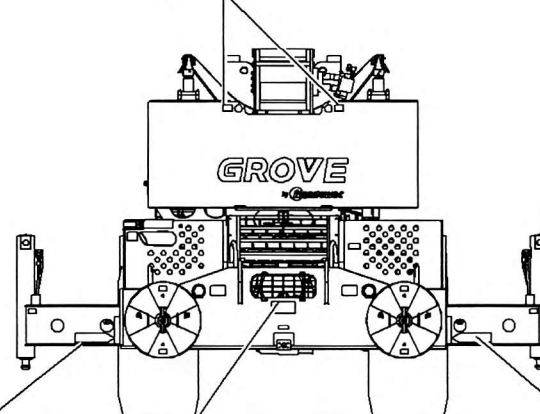
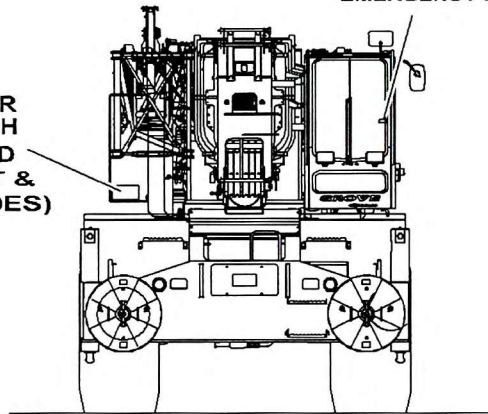
HATCHING DENOTES NON-SKID PAINT AREA.

142
O/R LOCKING
PIN OPERATION

112
EMERGENCY EXIT

161
DANGER
CWT LIFT
ONLY

160
DANGER
CWT CRUSH
HAZARD
(TYP LEFT &
RIGHT SIDES)



143
MID-EXTEND
(#144 ON OPPOSITE
SIDE; FRONT &
REAR LH O/R BEAMS)

130
DANGER
ELECTROCUTION
HAZARD

144
MID-EXTEND
(#143 OPPOSITE
SIDE; FRONT &
REAR RH O/R BEAMS)

